





 **Server Products Inc.**
3601 Pleasant Hill Road
Richfield, WI 53076 USA

 **(262) 628-5600**

 **(800) 558-8722**

 **(262) 628-5110**

 **spsales@server-products.com**

 **www.server-products.com**

TT Topping Tunnel Ultimate

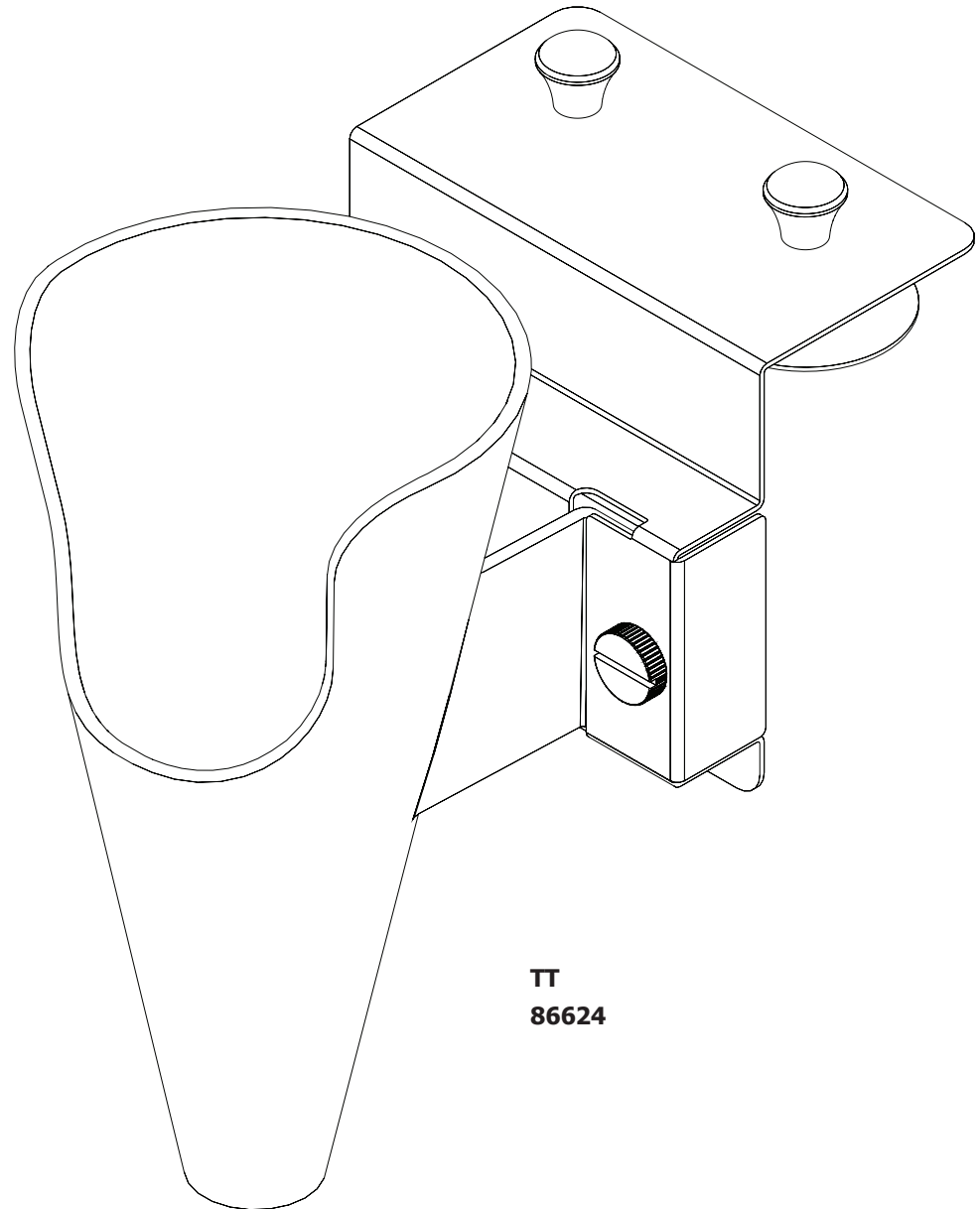
Series 07D
Stock No. 86624

Topping Tunnel 6"

Series 07D
Stock No. 86612

Topping Tunnel 12"

Series 07D
Stock No. 86618



**TT
86624**

UNIT ASSEMBLY

- 1 **Feed threaded screws on suction cups through holes in top of bracket. Screw on knob to suction cups.**
- 2 **Attach Bracket to surface.** (press suction cups down tight to adhere to flat surface)
- 3 **Slide tunnel into bracket.** Be sure to seat both ears of tunnel into slots provided in bracket.
- 4 **For units with thumb screws, tighten screws on bracket to secure tunnel.**

DISASSEMBLY/CLEANING

- 1 **Loosen Thumb screws (where applicable) on bracket.**
- 2 **Lift tunnel from bracket.**
- 3 **Wash Tunnel in Dishwasher or detergent and warm water.**

SERVICE

Contact your dealer or Server Products Inc. Customer Service Department for the following:

ORDERING REPLACEMENT PARTS

Be prepared to give this information:

1. Model Number
2. Series Number
3. Part Description
4. Part Number

You can find the unit model number, series number, and other specific data on a label attached to bottom or back side of every unit.

GENERAL SERVICE, REPAIR, OR RETURNS

Before sending any item to Server Products for service, repair, or return, contact Server Customer Service to request a **RETURN AUTHORIZATION NUMBER**. Merchandise must be sent to Server with this number.

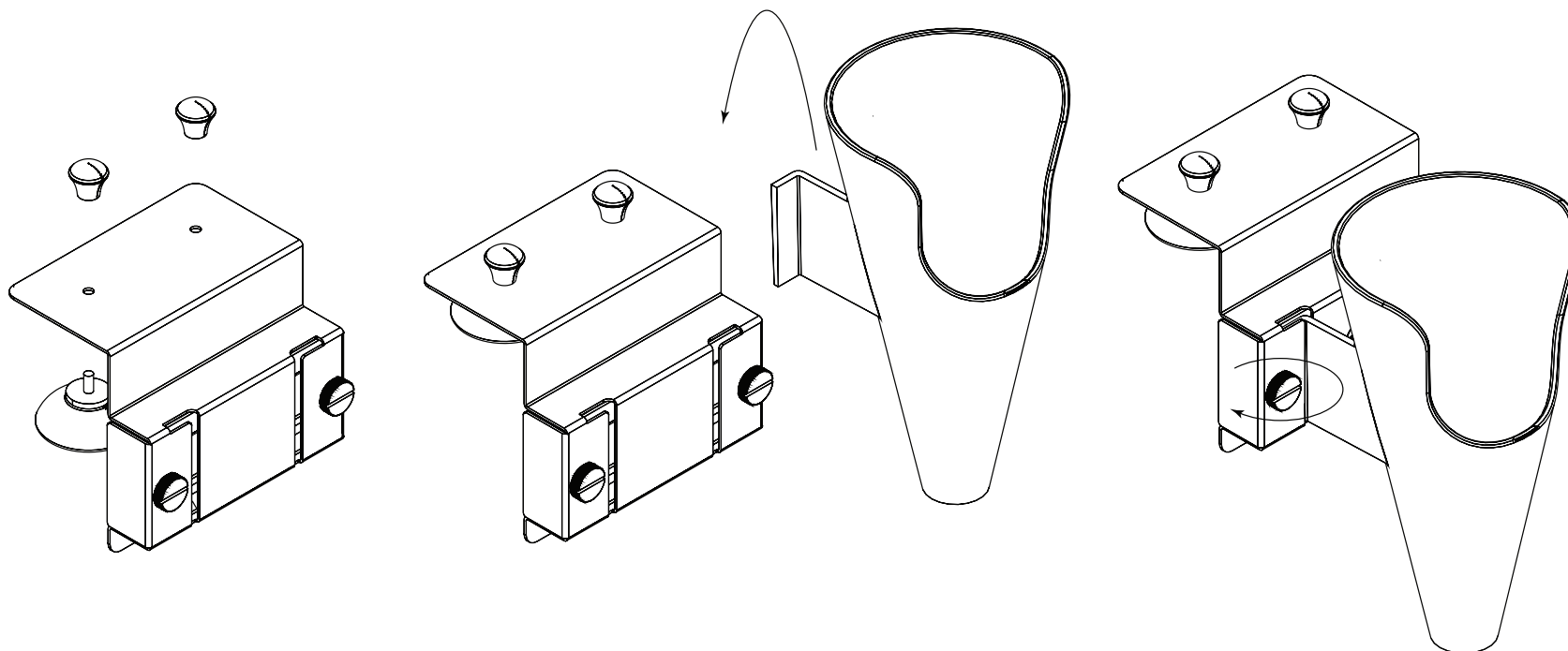
Returned goods must be in new and unused condition and not more than 90 days old and will be subject to a 20% (percent) restocking charge. Electrical parts (thermostats, heating elements etc.) are not returnable.

Server Products maintains a fully staffed service department with highly skilled factory trained personnel.

Service is extremely prompt. Under normal circumstances, a repaired unit is shipped out the day after it is received. Labor charges are reasonable.

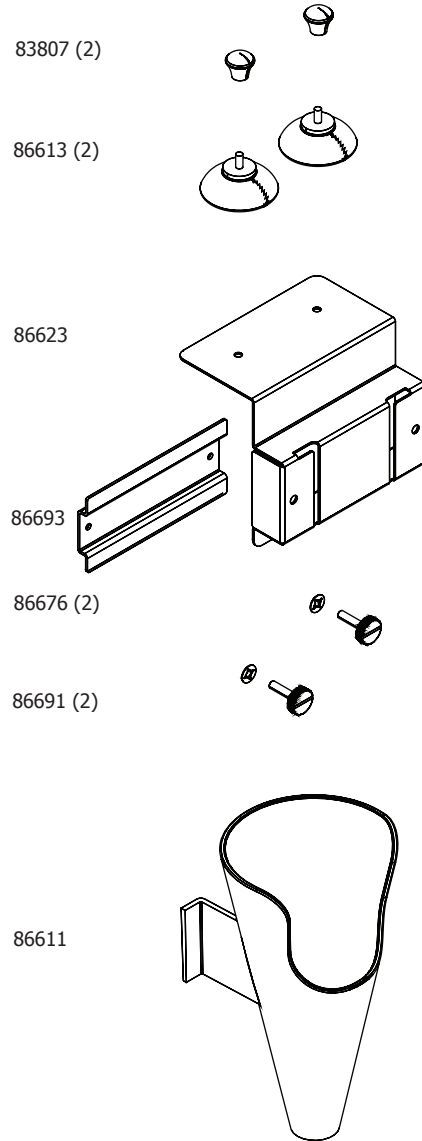
SERVER PRODUCTS LIMITED WARRANTY

All Server Products equipment is backed by a two-year limited warranty against defects in materials and workmanship. For complete warranty information go to: www.server-products.com

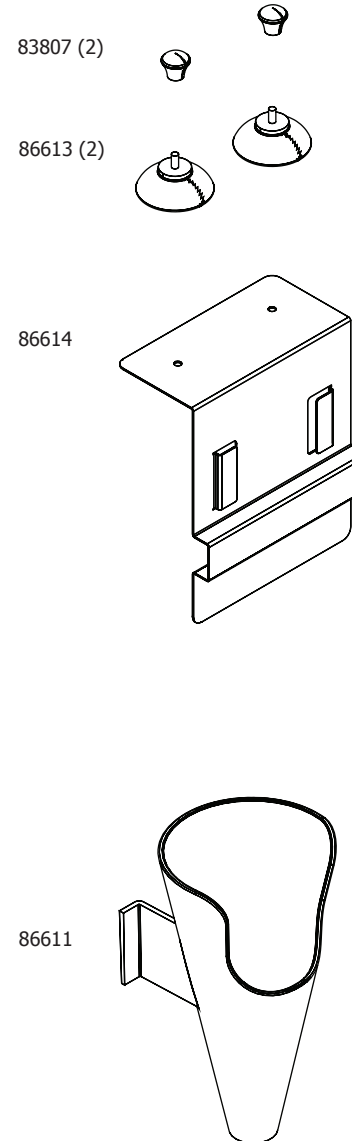


Part #	For Model No.	Description
83807	ALL	Knob
86611	ALL	Tunnel, Topping
86613	ALL	Foot, Suction
86614	86612	Bracket, Mounting, 6"
86617	86618	Bracket, Mounting, 12"
86623	86624	Bracket, Mounting Ultimate
86676	86624	Pushnut
86691	86624	Screw, Thumb
86693	86624	Channel, Single

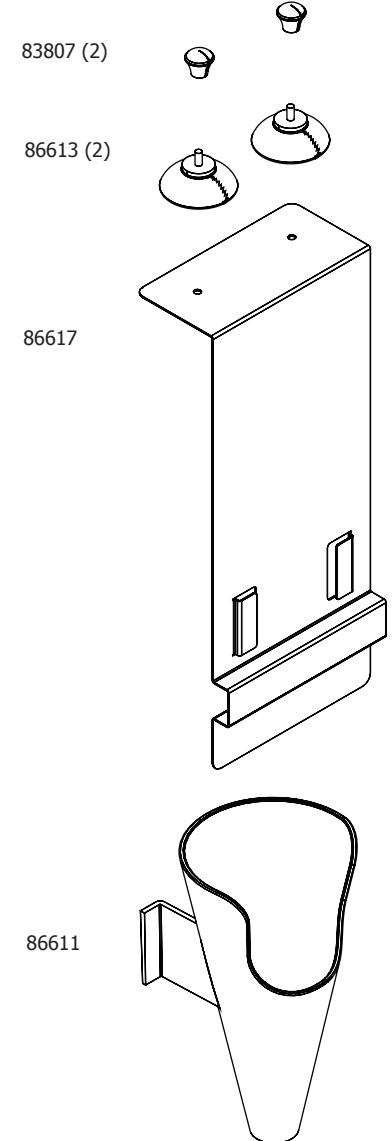
ULTIMATE TOPPING TUNNEL



TOPPING TUNNEL 6"



TOPPING TUNNEL 12"





Server Products Inc.
3601 Pleasant Hill Road
Richfield, WI 53076 USA



(262) 628-5600



(800) 558-8722



(262) 628-5110



spsales@server-products.com



www.server-products.com

